

Nominal Size W x H x D (in)	Actual Size W x H x D (in)	Part Number	Capacity (CFM)	Resistance (in W.G.)	Media Area (sq ft)	Carton Qty	Weight per Carton (lbs)
24 x 24 x 12	23-3/8 x 23-3/8 x 11-1/2	112-671-001	2000	0.46	55	1	24
12 x 24 x 12	11-3/8 x 23-3/8 x 11-1/2	112-671-002	1000	0.46	24	2	24
24 x 24 x 6	23-3/8 x 23-3/8 x 5-7/8	112-671-003	1000	0.46	29	2	24
12 x 24 x 6	11-3/8 x 23-3/8 x 5-7/8	112-671-004	500	0.46	13	4	25
20 x 20 x 12	19-3/8 x 19-3/8 x 11-1/2	112-671-005	1400	0.46	37	1	15
20 x 24 x 12	19-3/8 x 23-3/8 x 11-1/2	112-671-006	1667	0.46	44	1	18
20 x 20 x 6	19-3/8 x 19-3/8 x 5-7/8	112-671-007	834	0.46	24	2	24
20 x 24 x 6	19-3/8 x 23-3/8 x 5-7/8	112-671-008	700	0.46	20	2	24

Standard Construction:

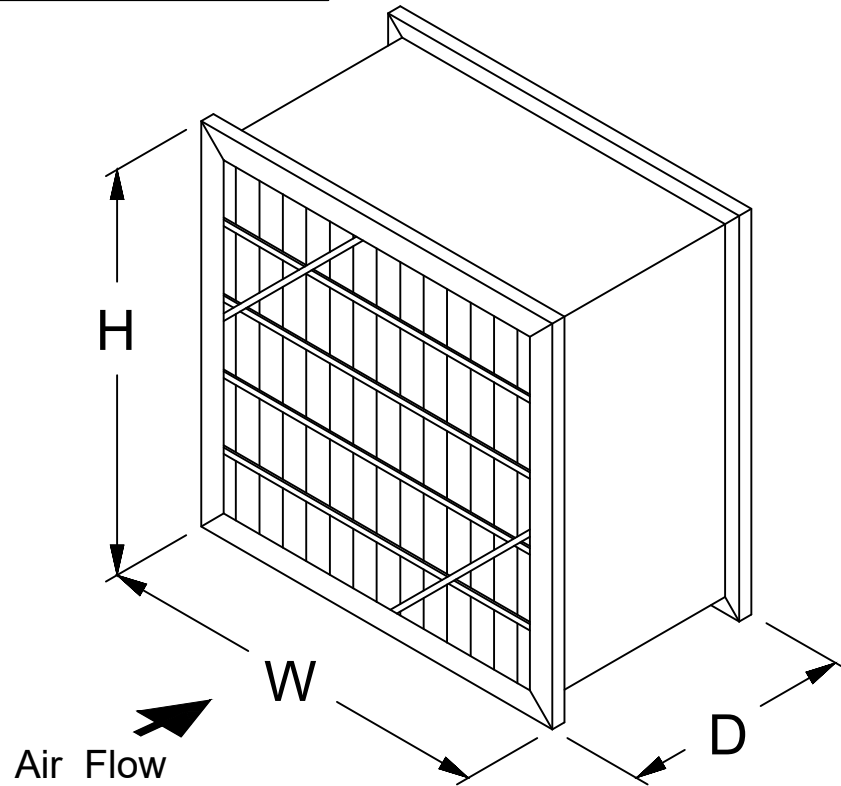
1. 100% Synthetic High Efficiency Media
2. Rust Resistant Expanded Metal Support on Downstream Side
3. Frame: 26 gage Galvanized Cellsides
4. Sealant: Waterbased Adhesive
5. Galvanized Steel Crossbraces (Upstream and Downstream)
6. Pleat Spacers: Plastic Fingers

Specifications:

1. MERV 14 (ASHRAE Standard 52.2-2017)
2. Final Resistance: 1.5" W.G.
3. Rated Velocity: 500 FPM - 12" Deep
4. Rated Velocity: 250 FPM - 6" Deep
5. Classified per UL Standard 900
6. Maximum Operating Temperature: 180 F (82 C)
7. Tolerance: Height & Width - +0 / -1/8"
8. Tolerance: Depth - +0 / -1/16"

Notes:

1. All Dimensions are in Inches Unless Otherwise Noted
2. Drawing Not To Scale



**Multi-Flo SBM
Series S - MERV 14
(Double Header)**

REV
LTR

REVISION

BY /
DATE

8401 Air Commerce Drive - Louisville KY 40219
Phone: (502) 634-4796 FAX: (502) 637-2280

Drawn By: Brent Chamberlain
Date: October 17, 2022

Revision